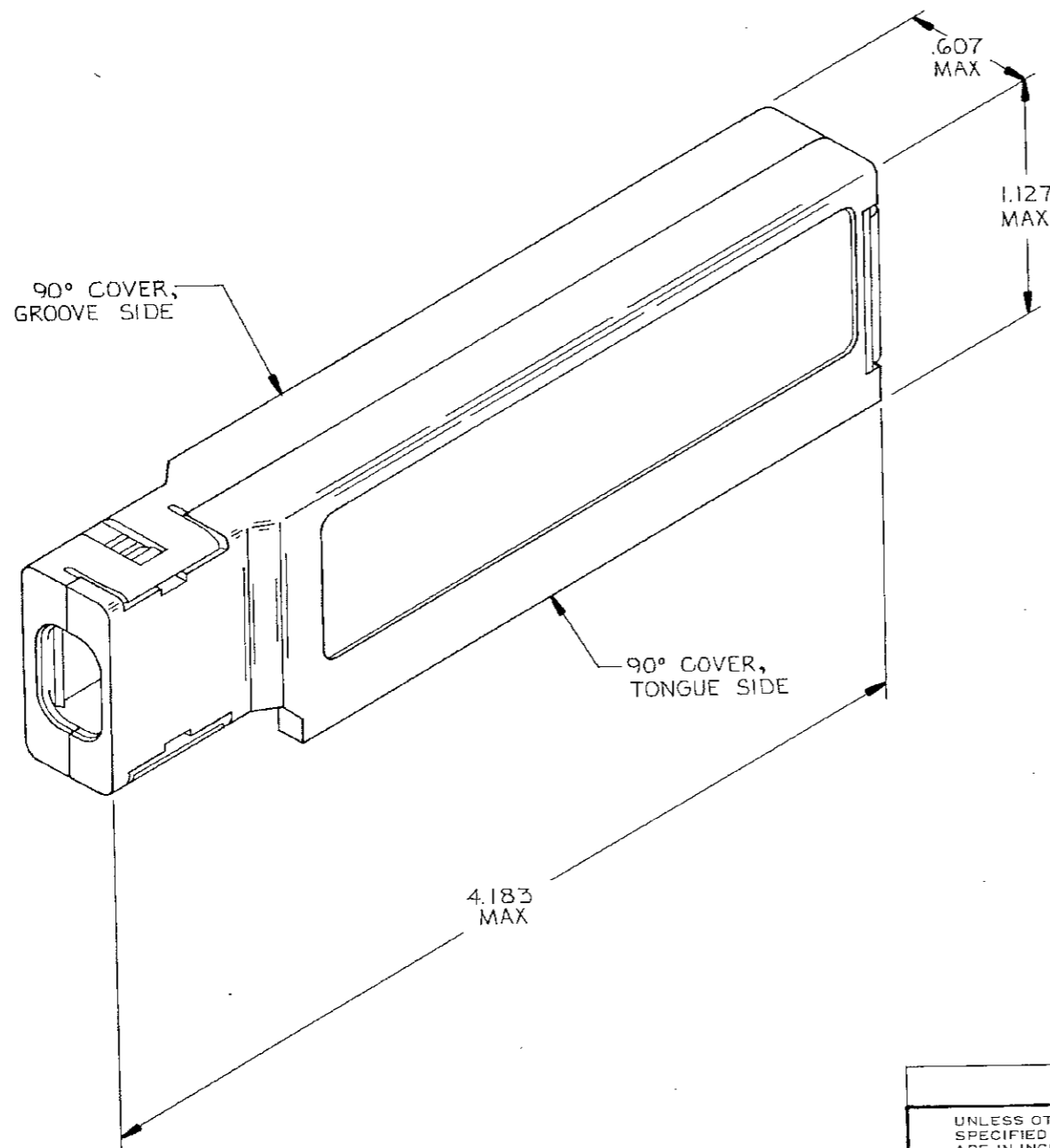


P		F		ZONE		LTR		REVISIONS		DATE	APPROVED
								J1	REVISED PER ECO-11-005297	08APR11	RK HMR

1. COVERS SHIPPED NOT ASSEMBLED.
2. 100 KITS BULK PACKED.



.540 - .605	BLACK	2-	-1	2-	-1	2-	-1
.475 - .540		1-	-1	1-	-1	1-	-1
.410 - .475	BLACK						
CABLE RANGE	COLOR	GROOVE SIDE PART NO.		TONGUE SIDE PART NO.		KIT PART NO.	
		552494 -1	552495 -1	552496 -1			

UNLESS OTHERWISE SPECIFIED DIMENSIONS ARE IN INCHES. TOLERANCES ON: DECIMALS ± — ANGLES ± —	CONTRACT NO	<b>TE</b> TE Connectivity		
	DR S. Pozoranchuk 1-29-85			NAME COVER KIT, 90 DEG 64 POSITION, CHAMP®
	MATERIAL POLYPHENYLENE	CHK C. Canty 1-30-85	APPD W. [Signature] 1-31-85	
	FINISH	APPD W. [Signature] 1-31-85	DSGN APPD	
	OTHER APPD	SIZE C	FSCM NO 00779	DRAWING NO 552496
		SCALE 2:1	SHEET 1 OF 1	

552496

CUSTOMER DRAWING